

Team C10  
Cade Kaminski  
George Neff  
Gavin O'Sullivan

Derby Car Technical Drawing Packet



Derby Car Technical Drawing Packet

**Team C10**

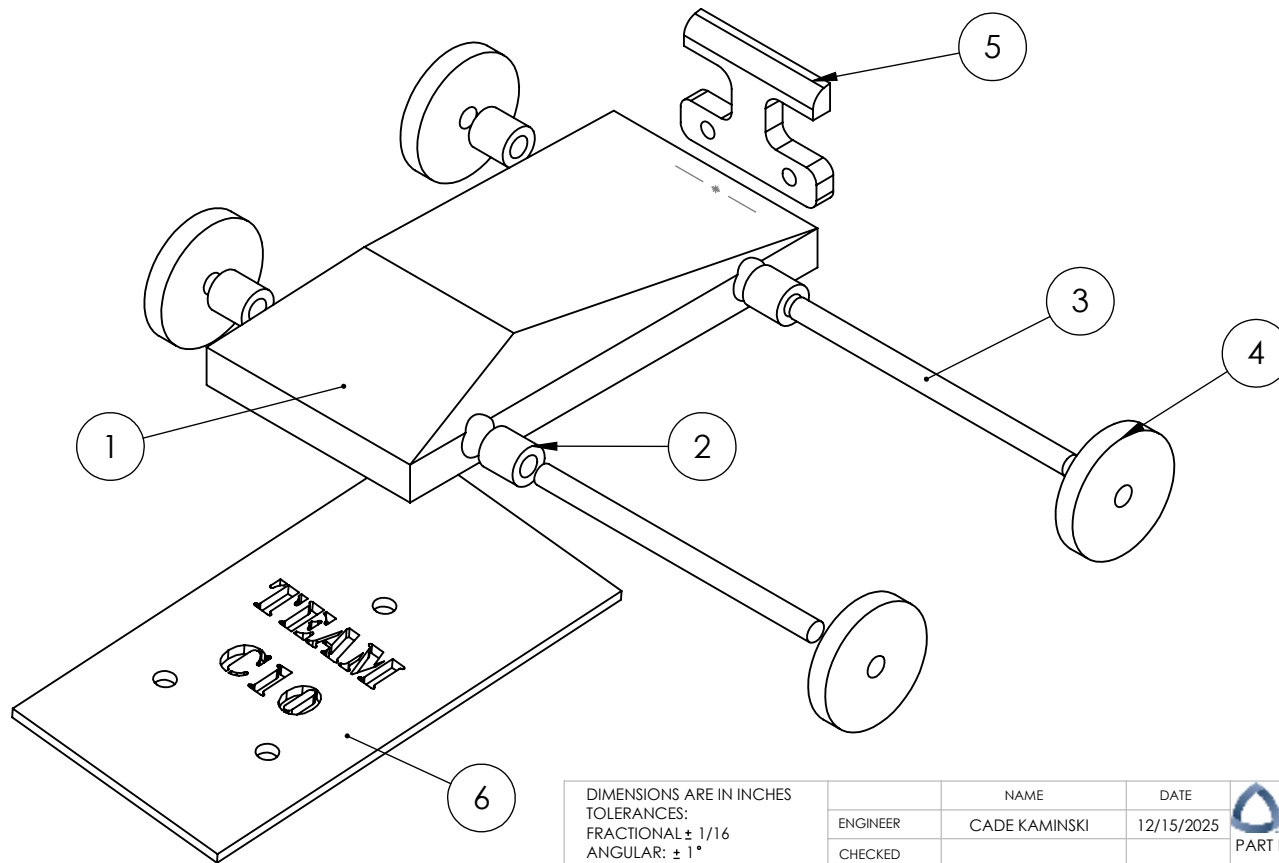
**Cade Kaminski**

**George Neff**

**Gavin O'Sullivan**

ITEM NO.	PART NUMBER	DESCRIPTION	QTY.
1	Cyber Truck Chassis Design	6061 Aluminum	1
2	Cyber Truck Bushing	Derlin	4
3	Cyber Truck Axle	Steel	2
4	Cyber Truck Wheel	Derlin	4
5	Cyber Truck Spoiler	ABS	1
6	Cyber Truck Skid plate	Acrylic	1

Mass = 673.17 grams



DIMENSIONS ARE IN INCHES  
TOLERANCES:  
FRACTIONAL  $\pm 1/16$   
ANGULAR:  $\pm 1^\circ$   
X.X  $\pm 0.030$   
X.XX  $\pm 0.010$   
X.XXX  $\pm 0.005$   
UNLESS OTHERWISE SPECIFIED

MATERIAL

FINISH: POLISHED

QUANTITY: 1



	NAME	DATE
ENGINEER	CADE KAMINSKI	12/15/2025
CHECKED		
ENG APPR.		
MFG APPR.		
Q.A.		

COMMENTS:  
COMMENTS

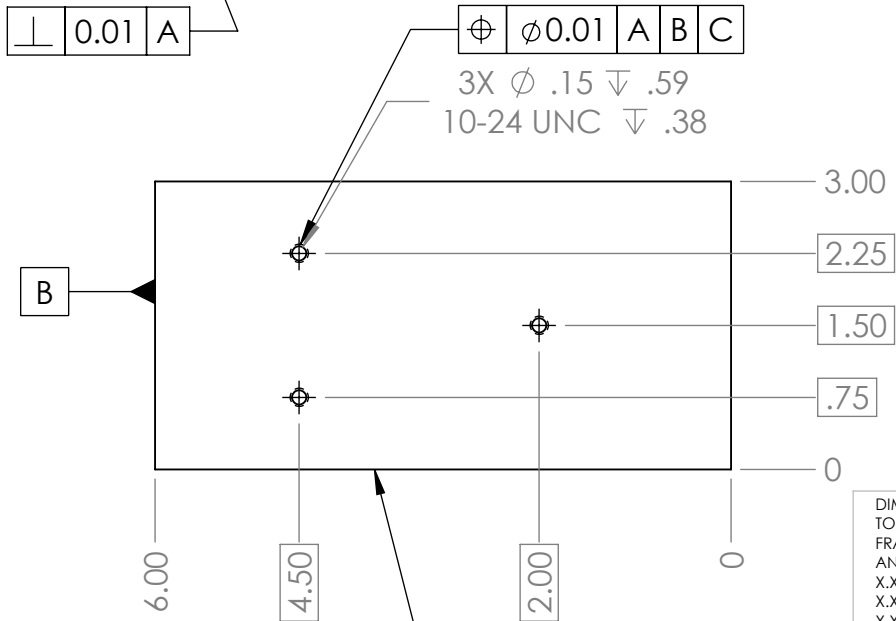
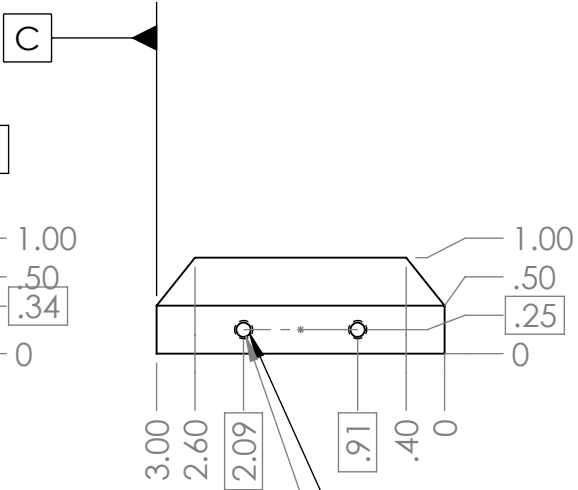
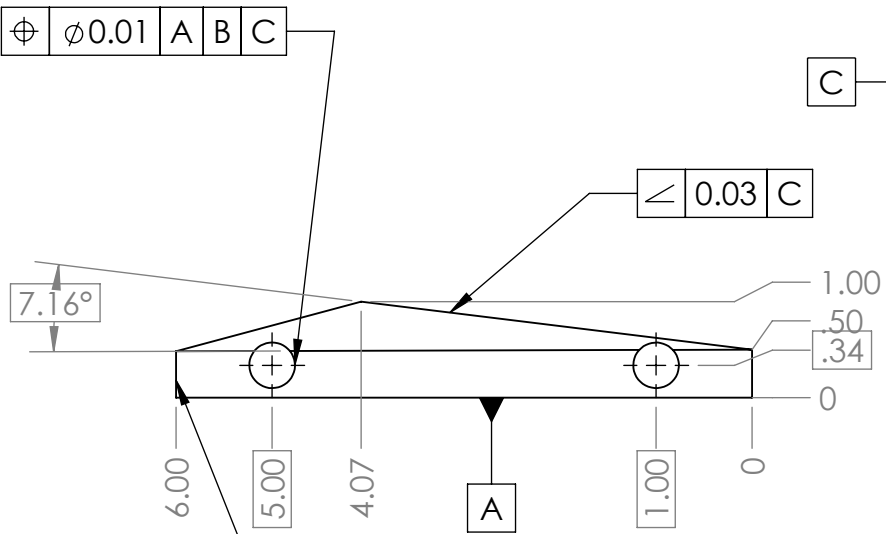
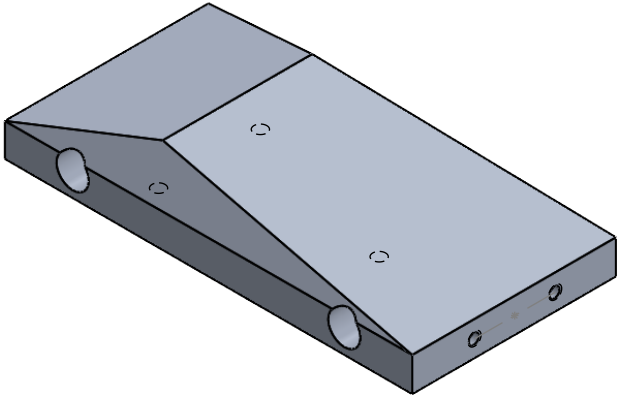


PART NAME:

CYBER TRUCK ASSEMBLY  
DESC: THIS IS THE FULLY EXPLODED TEAM C10 CYBER TRUCK DERBY CAR.

SIZE	PART NO.	REV.
A	1	

SCALE: 1:4 FILE: CSM\_ME\_A\_LAND DWG SHEET VER1\_5 SHEET 1 OF 1



3X  $\phi .15 \nabla .59$   
10-24 UNC  $\nabla .38$

2X  $\phi .15 \nabla .38$   
10-24 UNC  $\nabla .38$

DIMENSIONS ARE IN INCHES  
TOLERANCES:  
FRACTIONAL  $\pm 1/16$   
ANGULAR:  $\pm 1^\circ$   
X.X  $\pm 0.030$   
X.XX  $\pm 0.010$   
X.XXX  $\pm 0.005$   
UNLESS OTHERWISE SPECIFIED

MATERIAL  
**6061 ALUMINUM**

FINISH:

QUANTITY: 1

NAME	DATE
ENGINEER CADE KAMINSKI	12/15/2025
CHECKED	
ENG APPR.	
MFG APPR.	
Q.A.	

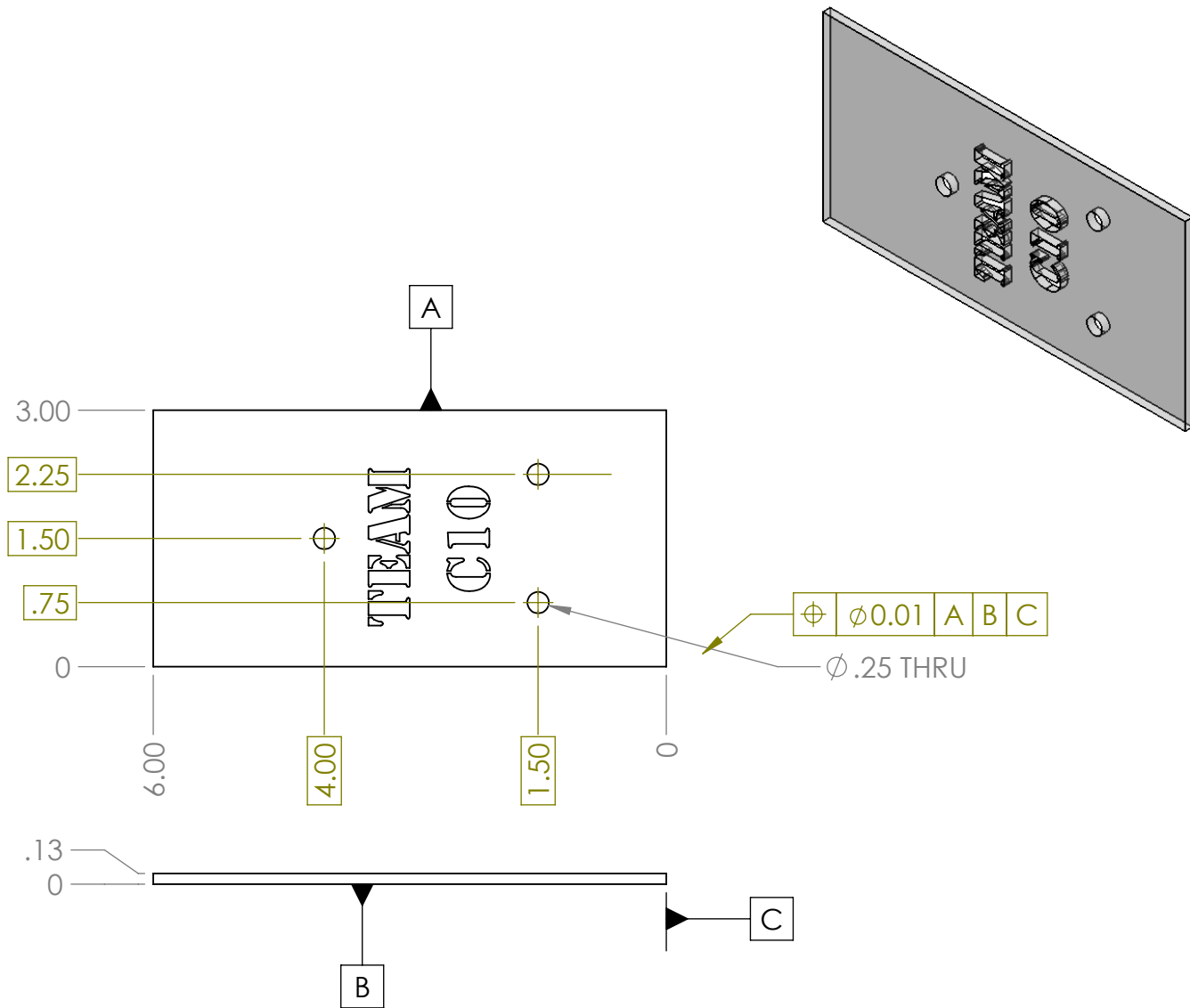
COMMENTS:  
COMMENTS



PART NAME: **CHASSIS**  
DESC: THIS IS THE CHASSIS FOR TEAM C10

SIZE	PART NO.	REV.
<b>A</b>	1	

SCALE: 1:2 FILE: CYBER TRUCK CHASSIS TECHNICAL DRA... 1



DIMENSIONS ARE IN INCHES  
 TOLERANCES:  
 FRACTIONAL  $\pm 1/16$   
 ANGULAR:  $\pm 1^\circ$   
 X.X  $\pm 0.030$   
 X.XX  $\pm 0.010$   
 X.XXX  $\pm 0.005$   
 UNLESS OTHERWISE SPECIFIED

MATERIAL  
**ACRYLIC SHEET**

FINISH:

QUANTITY: 1

NAME	DATE
ENGINEER CADE KAMINSKI	12/15/2025
CHECKED	
ENG APPR.	
MFG APPR.	
Q.A.	

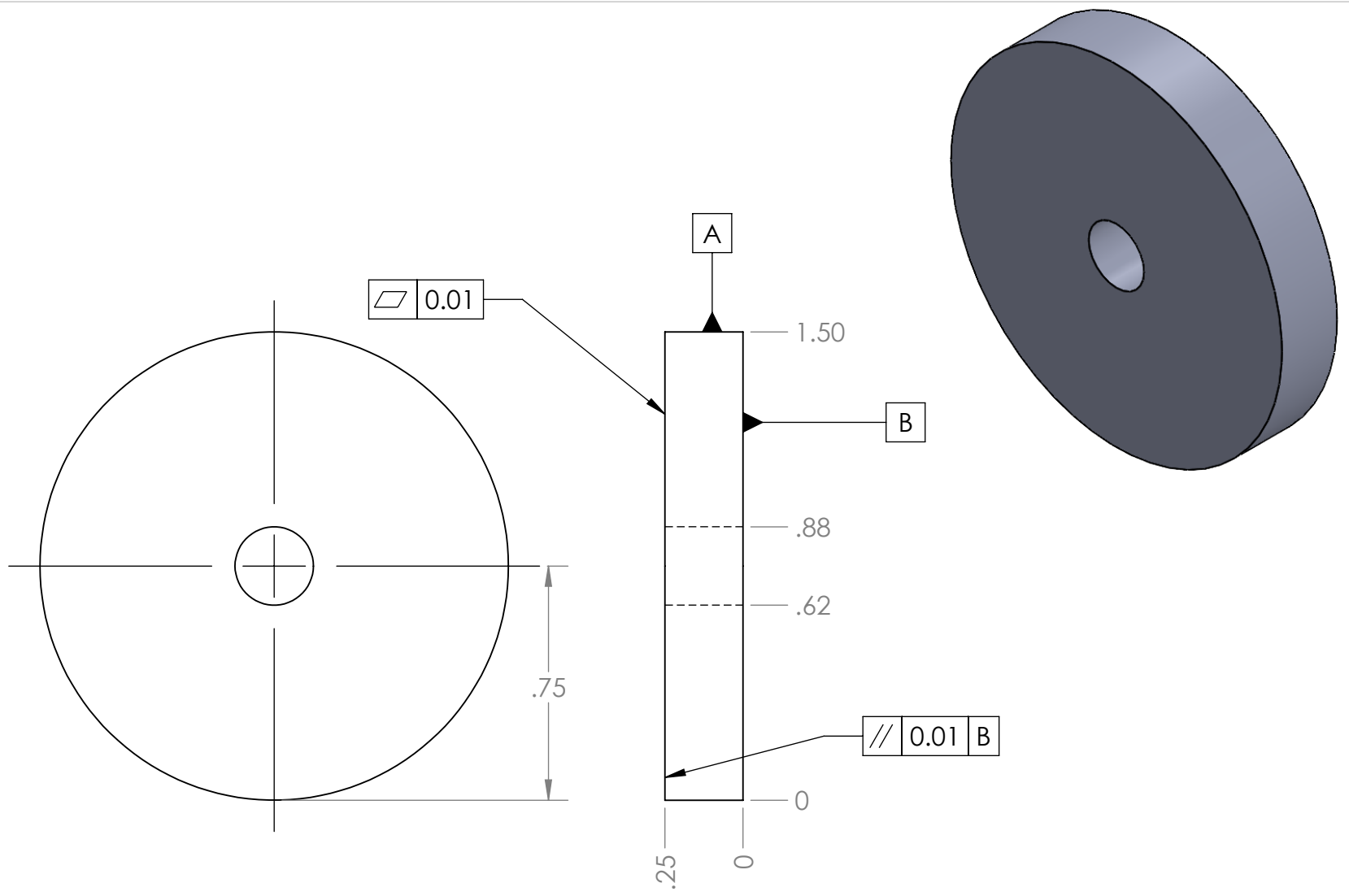
COMMENTS:  
 COMMENTS



PART NAME:  
**SKID PLATE**  
 DESC:  
 THIS IS THE THE SKID PLATE DESIGN FOR TEAM C10

SIZE	PART NO.	REV.
<b>A</b>	<b>2</b>	

SCALE: 1:2 FILE: CYBER TRUCK SKID PLATE TECHNICAL DSWMEETG100&T1



DIMENSIONS ARE IN INCHES  
 TOLERANCES:  
 FRACTIONAL  $\pm 1/16$   
 ANGULAR:  $\pm 1^\circ$   
 X.X  $\pm 0.030$   
 X.XX  $\pm 0.010$   
 X.XXX  $\pm 0.005$   
 UNLESS OTHERWISE SPECIFIED

MATERIAL: **DERLIN**

FINISH:

QUANTITY: 1

NAME	DATE
ENGINEER CADE KAMINSKI	12/15/2025
CHECKED	
ENG APPR.	
MFG APPR.	
Q.A.	
COMMENTS: COMMENTS	

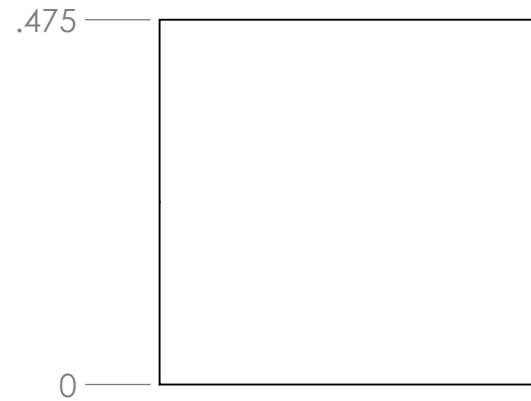
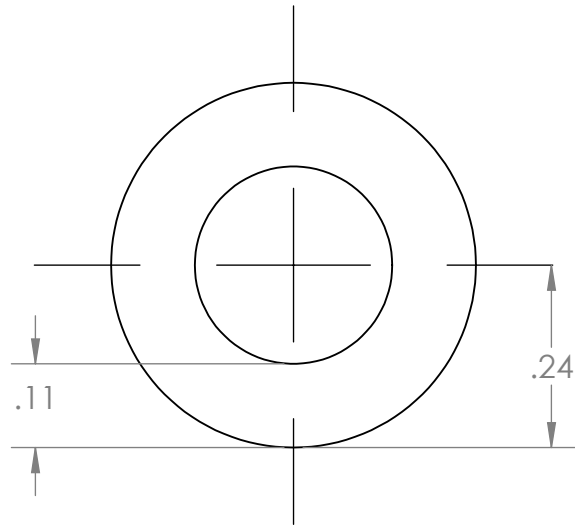
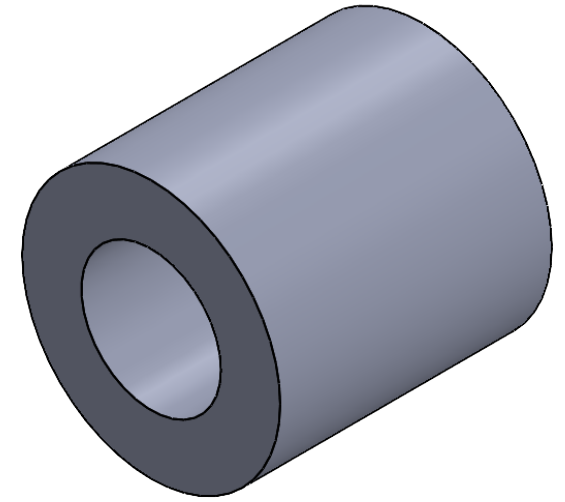
**MECHANICAL ENGINEERING**  
 COLORADO SCHOOL OF MINES

PART NAME: **WHEEL**

DESC: THIS IS THE WHEEL DESIGN FOR TEAM C10

SIZE <b>A</b>	PART NO. <b>3</b>	REV.
---------------	-------------------	------

SCALE: 2:1 FILE: CYBER TRUCK WHEEL TECHNICAL DRAWING SHEET 1 OF 1



DIMENSIONS ARE IN INCHES  
 TOLERANCES:  
 FRACTIONAL  $\pm 1/16$   
 ANGULAR:  $\pm 1^\circ$   
 X.X  $\pm 0.030$   
 X.XX  $\pm 0.010$   
 X.XXX  $\pm 0.005$   
 UNLESS OTHERWISE SPECIFIED

MATERIAL  
**DELRIN**

FINISH:

QUANTITY: 1



NAME	DATE
ENGINEER CADE KAMINSKI	12/15/2025
CHECKED	
ENG APPR.	
MFG APPR.	
Q.A.	

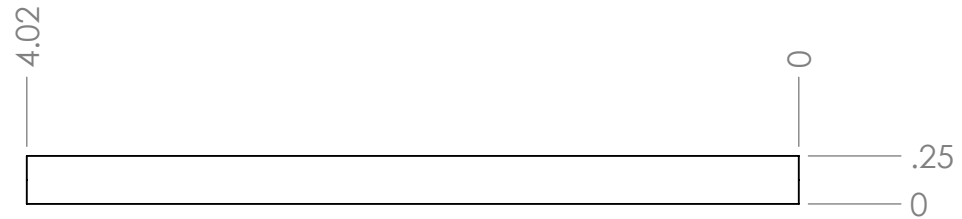
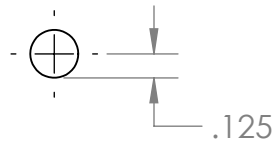
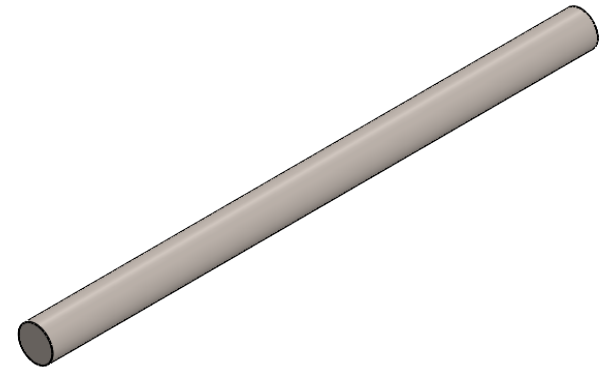
COMMENTS:  
 COMMENTS



PART NAME:  
**BUSHING**  
 DESC:  
 THIS IS THE BUSHING DESIGN FOR TEAM C10

SIZE	PART NO.	REV.
<b>A</b>	<b>4</b>	

SCALE: 4:1 FILE: CYBER TRUCK BUSHING TECHNICAL DRAWSHEET.DWG 1



DIMENSIONS ARE IN INCHES  
 TOLERANCES:  
 FRACTIONAL:  $\pm 1/16$   
 ANGULAR:  $\pm 1^\circ$   
 X.X  $\pm 0.030$   
 X.XX  $\pm 0.010$   
 X.XXX  $\pm 0.005$   
 UNLESS OTHERWISE SPECIFIED

MATERIAL  
**STEEL**

FINISH:

QUANTITY: 1

	NAME	DATE
ENGINEER	CADE KAMINSKI	12/15/2025
CHECKED		
ENG APPR.		
MFG APPR.		
Q.A.		

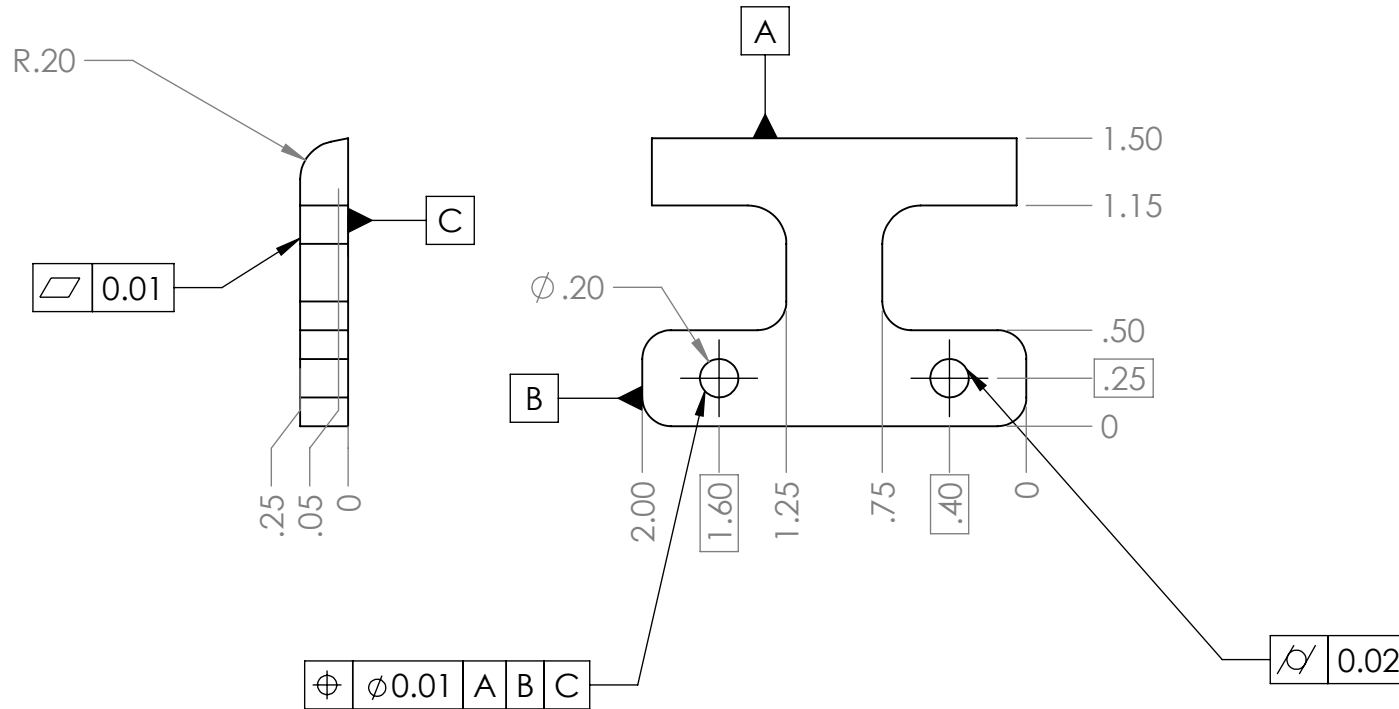
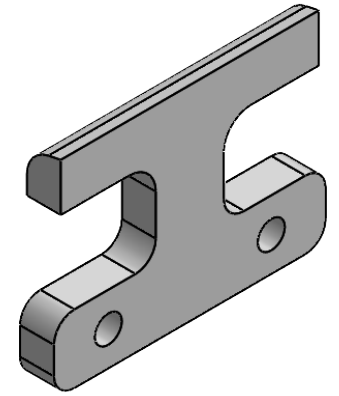
COMMENTS:  
 COMMENTS



PART NAME:  
**AXLE**  
 DESC:  
 THIS IS THE AXLE FOR TEAM C10

SIZE	PART NO.	REV.
<b>A</b>	<b>5</b>	

SCALE: 1:1 FILE: 1 CYBER TRUCK AXLE TECHNICAL DRAWING SHEET 1 OF 1



DIMENSIONS ARE IN INCHES  
 TOLERANCES:  
 FRACTIONAL:  $\pm 1/16$   
 ANGULAR:  $\pm 1^\circ$   
 X.X  $\pm 0.030$   
 X.XX  $\pm 0.010$   
 X.XXX  $\pm 0.005$   
 UNLESS OTHERWISE SPECIFIED

MATERIAL: **DERLIN**  
 FINISH:  
 QUANTITY: 1

	NAME	DATE
ENGINEER	CADE KAMINSKI	12/15/2025
CHECKED		
ENG APPR.		
MFG APPR.		
Q.A.		

COMMENTS:  
 COMMENTS



PART NAME: **SPOILER**  
 DESC: THIS IS THE SPOILER FOR TEAM C10

SIZE	PART NO.	REV.
<b>A</b>	<b>6</b>	

SCALE: 1:1 FILE: CYBER TRUCK SPOILER TECHNICAL DRAWING.DWG